

# Back Pressure Check Valves

## General Information

RegO® Back Pressure Check Valves are designed to allow flow in one direction only. The check, normally held in the closed position by a spring, precludes the possibility of flow out of the container. When flow starts into the container, the pressure overcomes the force of the spring to open the check. When the flow stops or reverses, the check closes.

Metal-to-metal seats will allow slight leakage after closure. These valves will restrict the escape of container contents in the event of accidental breakage of the piping or fittings.

## Back Pressure Valves for Container or Line Applications 3146 Series, 3176 Series, A3186, A3187S, A3196, and A3276BC

### Application

Designed to provide protection of a container opening when desired flow is always into the vessel. May be used in line applications where flow must be limited to one direction.

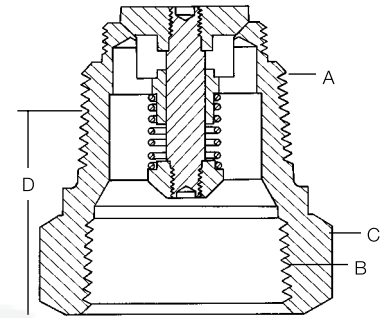
When used with the appropriate single check filler valve, the combination forms a double check filler valve suitable for use in filling of bulk storage tanks.

### Features

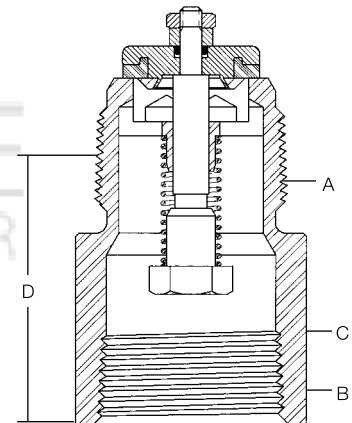
- Generous flow channels for low pressure drop.
- Heavy-duty construction for long service life.
- Soft seat valves have synthetic rubber seat disc for positive seals.

### Materials

Body (3146, 3146S, 3176)	Brass
Body (all others)	Cadmium Plated Steel
Disc (3146, 3146S, 3176)	Brass
Disc (all others)	Cadmium Plated Steel
Stem (3146, 3146S, 3176)	Brass
Stem (A3146, A3196, A3276BC)	Stainless Steel
Stem (A3176, A3186)	Cadmium Plated Steel
Spring	Stainless Steel
Seat Disc (3146S, A3276BC)	Synthetic Rubber



3146 Series, 3176 Series, A3186, A3196



A3276BC



A3187S



### Ordering Information

Part Number		A Inlet Connection F. NPT	B Outlet Connection M. NPT	C Wrench Hex Flats	D Effective Length (approx.)	Propane Liquid Capacity at various differential pressures (GPM)			
Brass	Steel					5 PSIG	10 PSIG	25 PSIG	50 PSIG
3146	A3146	3/4"	3/4"	1 3/8"	1 15/16"	11	16	25	36
3146S*									
3176	A3176	1 1/4"	1 1/4"	2"	1 3/8"	28	40	63	89
	A3276BC*				2 1/2"				
	A3186	2"	2"	2 7/8"	2 7/16"	124	175	276	391
	A3187S*	2" M & 1 1/4" F	2" M & 1 1/4" F	2 3/8"	4 3/8"	60	110	225	350
	A3196	3"	3"	4"	3 15/16"	297	420	664	939

\*Soft seat version.

NOTE: Multiply flow rate by .94 to determine liquid butane capacity and by .90 to determine liquid anhydrous ammonia capacity.

**F26**

