

# Vent Valves 3165C, 3165S and TSS3169

## Application

Especially designed to bleed off liquid or vapor pressures trapped in transfer lines. When installed in the downstream boss of RegO® globe and angle valves used at the end of a liquid transfer hose, the bleeder valve allows for the controlled venting of the product and indicates to the operator that the valves are closed and he can disconnect the coupling. They may also be used as a fixed liquid level gauge where the dip tube is part of the container.

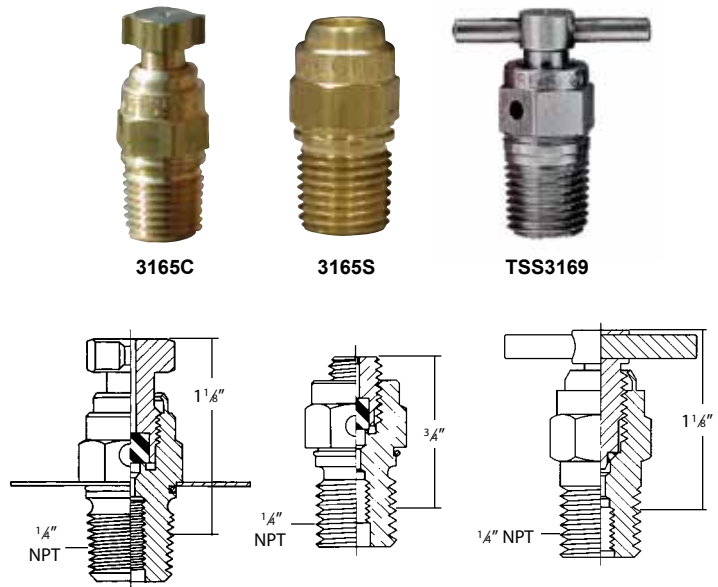
All these valves incorporate a No. 54 drill size orifice.

An optional instruction plate with "Stop Filling When Liquid Appears" may be ordered for use with these valves.

## Materials



Body (3165).....	Brass
Body (TSS3169).....	Stainless Steel
Seat Disc (3165).....	Resilient Synthetic Rubber
Seat Disc (3169).....	Teflon



## Ordering Information

Part Number	Service	Connection	Actuation	Accessories
				Warning Plate Kit
3165C	LP-Gas Only	1/4" M. NPT	Knurled	2550-40P
3165S			Slotted	
TSS3169	LP-Gas & NH <sub>3</sub>	Tee Handle		

# Fixed Liquid Level Gauges 3165 Series and TA3169F

## Application

Especially designed to provide a visible warning when containers are filled to the maximum permitted filling level. At the start of the filling operation, with the vent stem opened, the valve discharges vapor. When the maximum permitted filling level is reached, the valve discharges liquid. These valves are normally furnished with a 12", 3/16" O.D. dip tube and incorporate a No. 54 drill size orifice.

An optional instruction plate with "Stop Filling When Liquid Appears" may be ordered for use with these valves.

## Materials

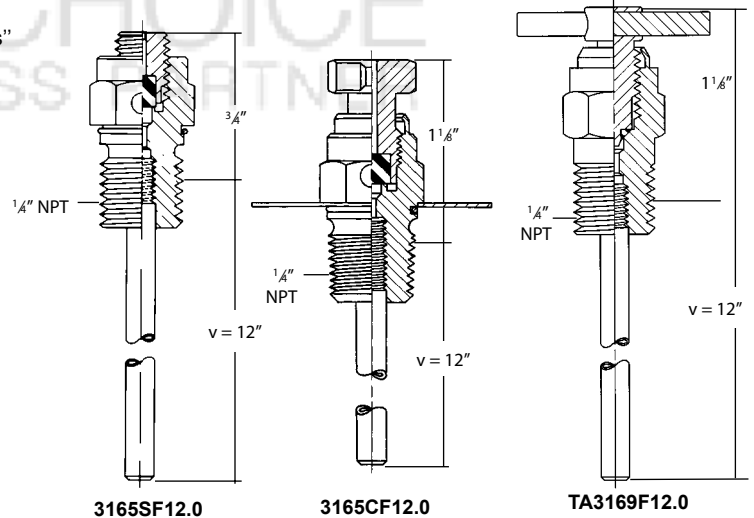
Body (3165).....	Brass
Body (TA3169).....	Stainless Steel
Seat Disc (3165).....	Resilient Synthetic Rubber
Seat Disc (TA3169).....	Teflon



3165SF12.0



TA3169F12.0



3165SF12.0

3165CF12.0

TA3169F12.0

## Ordering Information

Part Number	Service	Connection	Actuation	Dip Tube Length	Accessories
					Warning Plate Kit
3165CF*	LP-Gas Only	1/4" M. NPT	Knurled	*	2550-40P
3165CF12.0			Slotted	12"	
3165SF12.0			Tee Handle		
TA3169F12.0	LP-Gas & NH <sub>3</sub>				