

LPG VAPORIZERS

LPG기화기

Type HJ - PV



■ Design Data (설계조건)

Design Pressure (설계압력)	: 1.8Mpa
Hyd. Test(내압시험압력)	: 3.0Mpa
Air Tight Test(기밀시험압력)	: 1.8Mpa
Design Temp(설계온도)	: 100°C
Operating Temp(상용온도)	: 60~70°C
Safety Setting(안전밸브설정압력)	: 1.8Mpa

■ Specification(표준성능 및 규격)

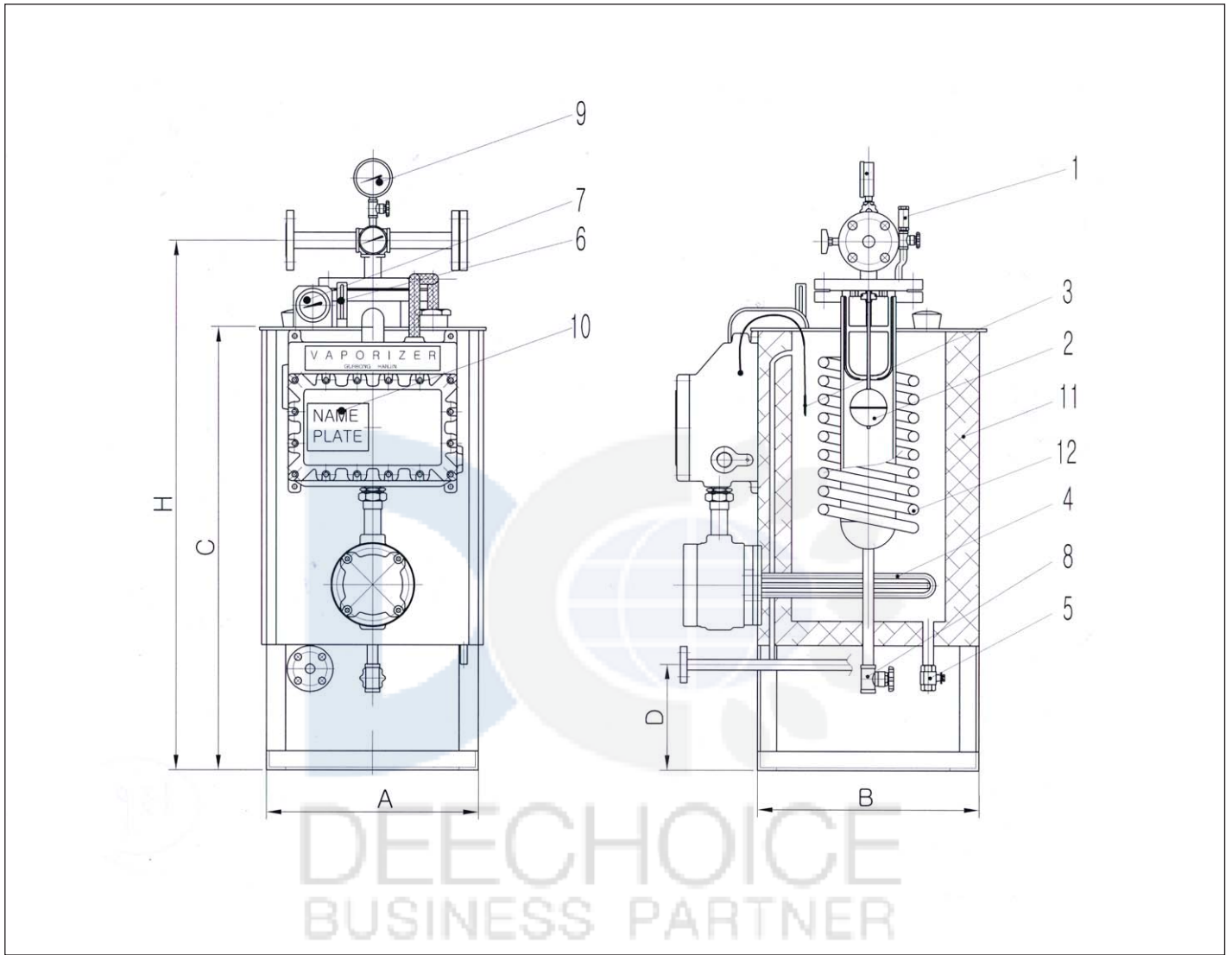
※아래 수치는 제조과정에서 변경될 수 있습니다

Model	Capacity (kg/hr)	Heat Consumption			End Connection		Weigh (kg)
					Inlet	Outlet	
		Electric (kw/hr)	Hot Water (kcal/hr)	Steam (kg/hr)	Flanged (A)	Flanged (A)	
HJ-PV-30	30	5	5,600	9	15	15	150
HJ-PV-50	50	8	7,500	12	15	20	150
HJ-PV-100	100	15	15,000	24	20	25	180
HJ-PV-150	150	22	22,000	35	20	25	240
HJ-PV-200	200	30	30,000	48	20	25	260
HJ-PV-300	300	44	45,000	72	25	40	400
HJ-PV-400	400	60	60,000	96	25	50	550
HJ-PV-500	500	72	75,000	120	25	50	580
HJ-PV-600	600	88	90,000	144	40	50	700
HJ-PV-800	800	120	120,000	192	40	80	900
HJ-PV-1000	1000	156	150,000	240	50	80	1050

■ NOTES (특기사항)

1. There are three option in each model depending on availability of heat source, viz. electricity, hot water or steam.
2. Electricity may be either 220V single phase or 220V, 380V and 440V 3 phase.
3. Hot water temperature range is 70°C up to 90°C.
4. Steam pressure should be 0.6 to 1.2 kg/cm²
5. All electric heating system is fitted with pressurized flameproof.

1. 가열방식은 사용자의 주문에 의하여 전열, 온수, 스팀식으로 할 수 있습니다.
2. 주문 시 사용할 전원의 상수와 전압을 알려주셔야 합니다.
3. 온수사용온도는 70°C~90°C, 스팀공급압력은 0.6~1.2kg/cm²를 사용 해야 합니다



Material(재료)

No	Part name	Material
1	Safety Valve	Brass
2	Liquid over flow prevention Ball	SUS304
3	Temperature Sensor	SUS316
4	Electric Heater	SUS304
5	Water drain Valve	Brass
6	Water level Gage	Arcryl
7	Temperature Gage	SUS304
8	Gas drain Valve	Brass
9	Pressure Gage	SUS304
10	Name Plate	SUS304
11	Insulation	Glass wool
12	Heat exchange Coil	STPG38

Standard Dimension(표준크기)

※아래 수치는 제조과정에서 변경될 수 있습니다

Model	Dimension				
	A (mm)	B(mm)	C(mm)	D(mm)	H(mm)
HJ-PV-30	440	440	916	210	1,096
HJ-PV-50	440	440	916	210	1,096
HJ-PV-100	500	500	916	210	1,096
HJ-PV-150	600	500	1,166	210	1,366
HJ-PV-200	660	500	1,166	210	1,366
HJ-PV-300	800	500	1,226	250	1,446
HJ-PV-400	950	600	1,426	250	1,646
HJ-PV-500	950	750	1,426	250	1,646
HJ-PV-600	950	750	1,426	250	1,646
HJ-PV-800	1,300	800	1,390	260	1,600
HJ-PV-1000	1,500	800	1,390	300	1,600